

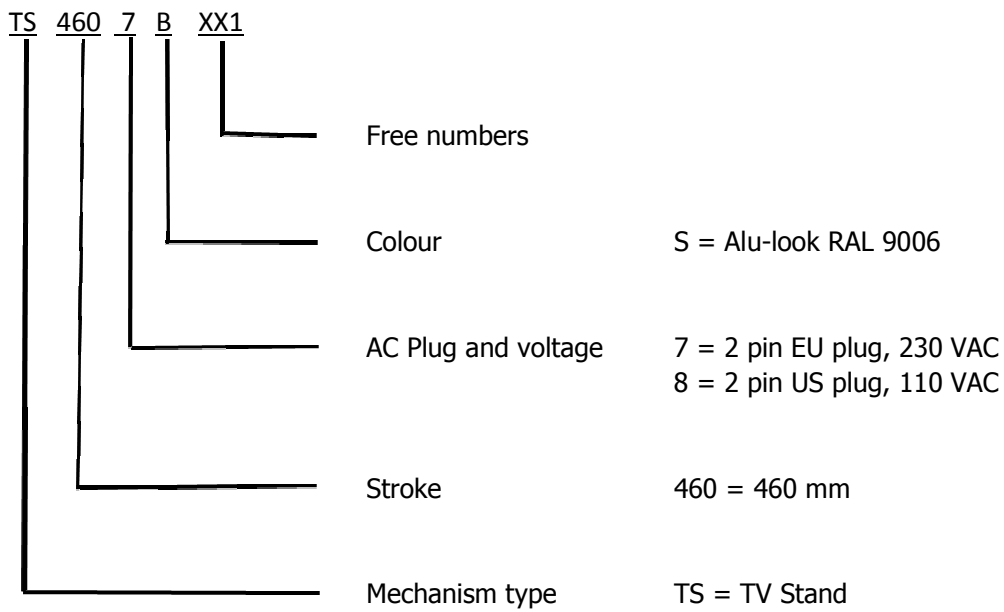
Table of contents

Article numbers	page 3
Packing details	page 4
Bill of material	page 5
Assembly and use	page 6
Dimensions	page 7
Specifications	page 8
Safety & test	page 8

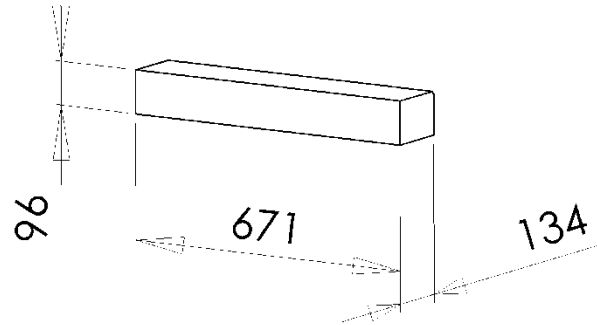
Article numbers

Article number	EAN code
TS460 7BXX1	5 708499 109550
TS460 8BXX1	5 708499 110358

Ordering example

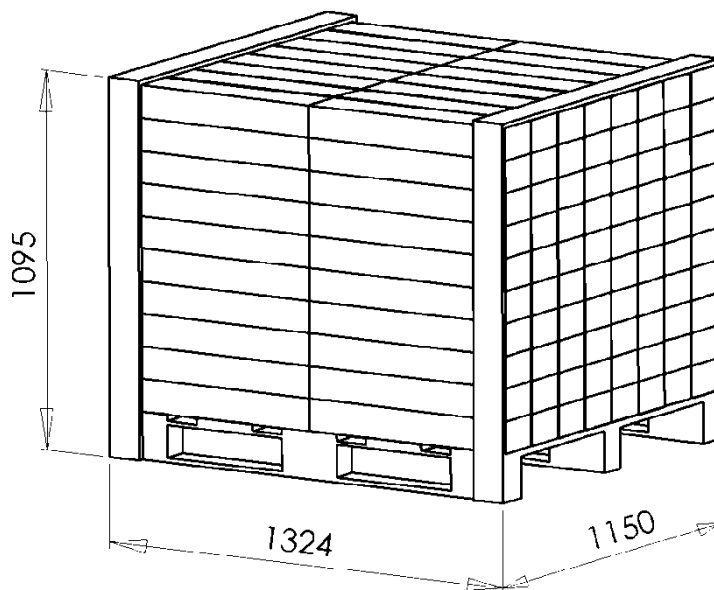


Packing details



1 pcs.

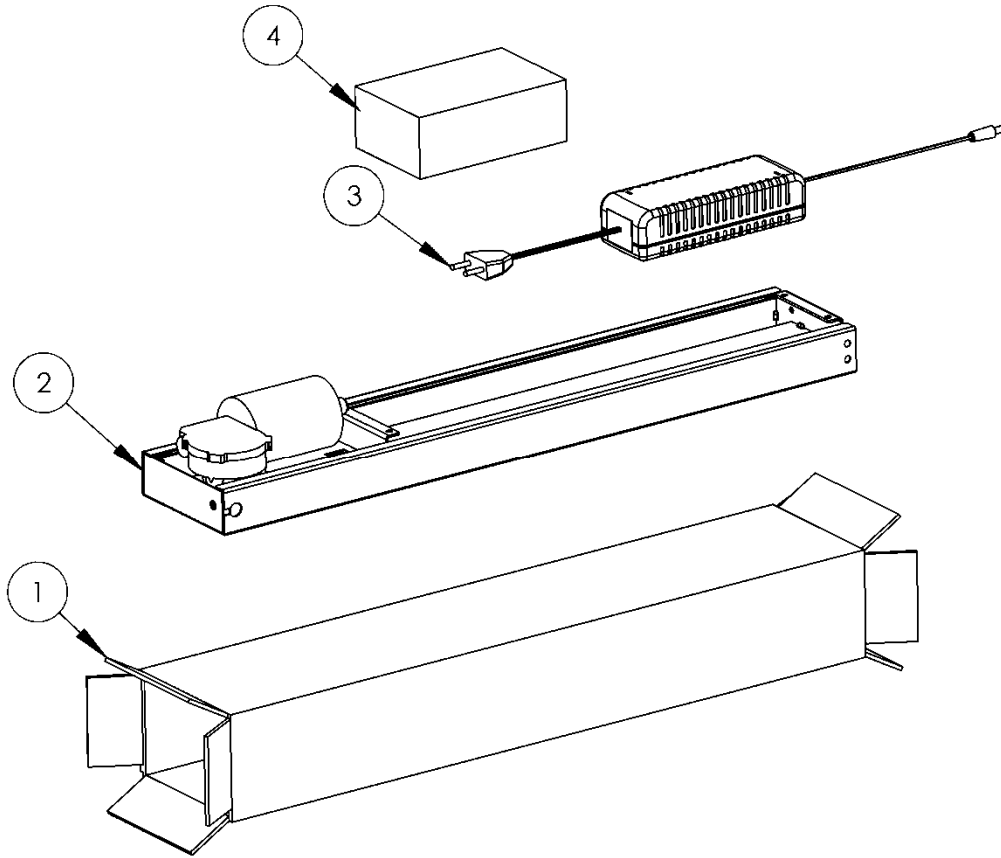
6,3 kg



160 pcs.

1008 kg

Bill of material

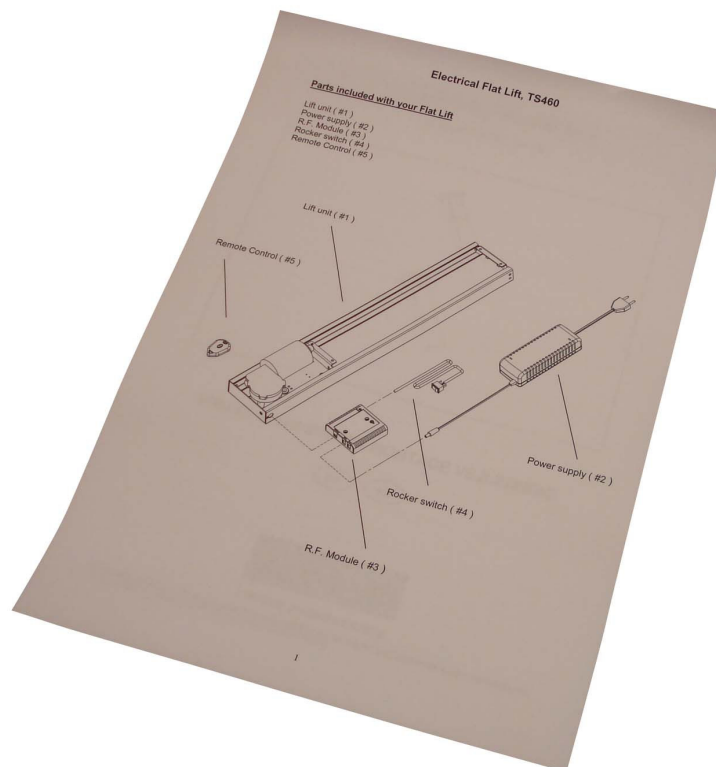


ITEM NO.	QTY.	PART NO.	DESCRIPTION
1	1	314410	Cardboard box
2	1	109620	Electric flat lift
3	1	311850	SMPS power supply
4	1	110080	RF remoteset

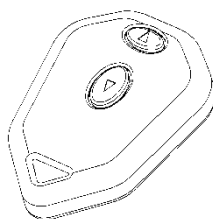
Assembly and use

After installation of the mechanism, the electrical components can be connected. All wires have DC jacks and since using different types (size- male/female) only the correct connection will be possible to make.

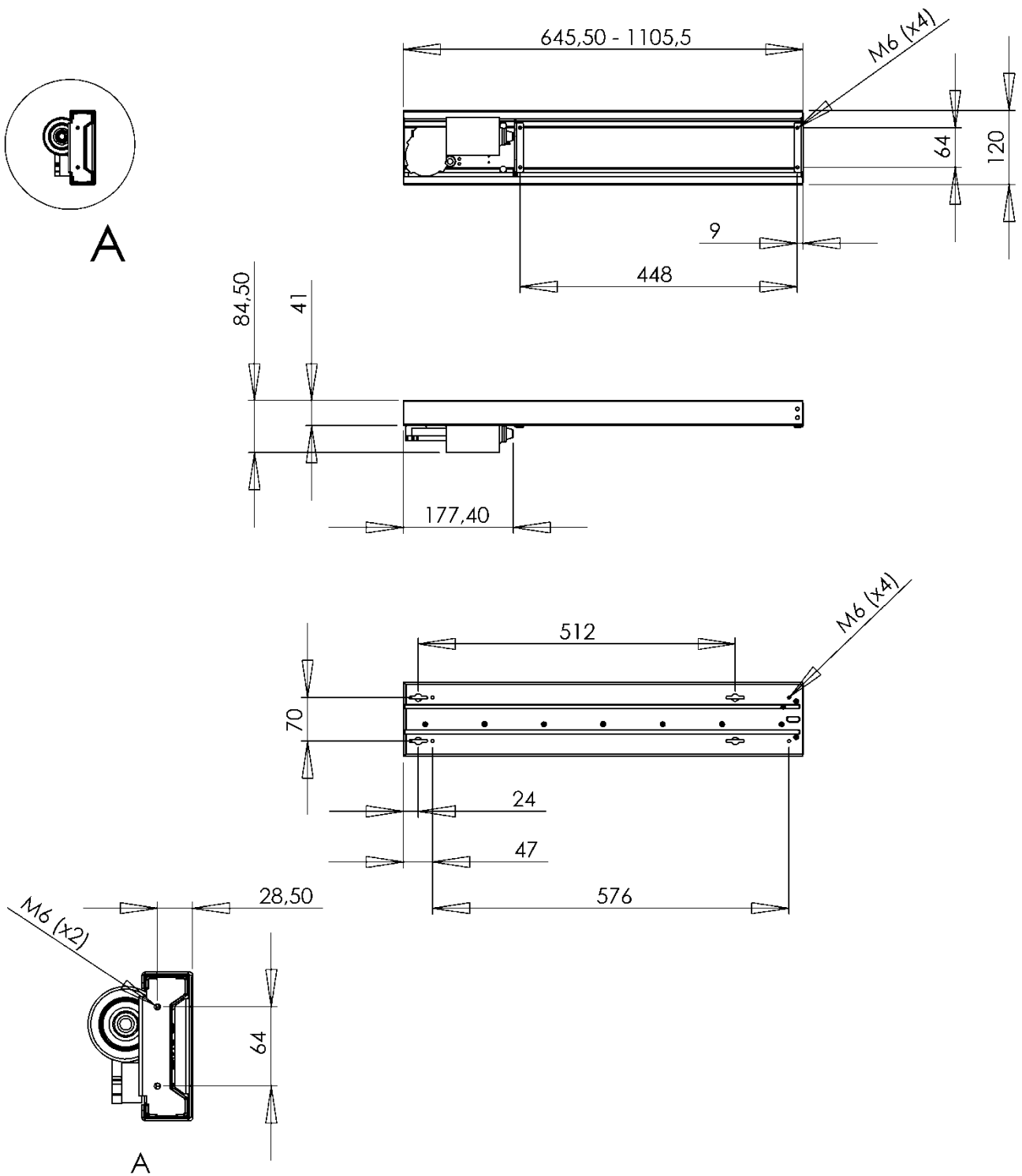
Along with all products a "Direction for assembly and use" is delivered where all needed information's about the assembly will be accessible.



The mechanism now will be possible to operate up and down using the supplied remote unit. Pushing "△" and the lift will expand. Pushing "▽" and the lift will move together.



Dimensions



Specifications**Mechanism**

Stroke	460 mm
Lifting capacity	50 kilos
Speed	25 mm/sec
VESA***	50x50 – 75x75 – 100x100 – 100x200 – 200x200

*** MB460 needed

Component

Metal sheet parts:	St 37-2
Gear parts:	St 70-2
Gear motor:	CS no. 300047
Power supply:	120 W AC SMPS Power Transformer (EU versions) 90 W AC SMPS Power Transformer (US versions)
Plastic components:	PEHD, PA6
Surface treatment	Visible metal parts powder coated in "alu" colour Non visible metal parts are surface treated (e.g. zinc plated)
Remote system	RF signal operated (Radio frequency – 433,92Hz)

Safety & test**Declaration of conformity**

We hereby declare, under our sole responsibility that the following products:

- ConSet electric TV-lift mechanism product type TS460

which are covered by this statement, are in conformity with the following standards and other normative documents::

- Counsel Directive 89/336/EØF with later changes
- Counsel Directive 73/23/EØF with later changes

EF – komponenterklæring type "bilag II B"

EEC Declaration of a component "appendix II B"

Fabrikant (navn og adresse):

Manufacturer (name and address): ConSet A/S, Staalvej 14-16, 6900 Skjern, Denmark

Erklærer hermed, at følgende produkt:
Hereby certify that the following product:

Benævnelse, mærke, type: TS460 7SXX1
Description, ID/mark, type: _____

Evt. serienr.:
Serial No. if any: _____

Evt. bemyndigede organ og nr. Teknologisk Institut, Århus, Denmark
Notified body if any: _____

Evt. EF- typeattest:
EEC-type certificate if any: _____

Evt. Harmoniserede standarder:
Harmonised standards if any: _____

Er fremstillet i overensstemmelse med bekendtgørelse nr. 561 af 24. juni 1994, der gennemfører EUROPA-PARLAMENTETS OG RÅDETS DIREKTIV 98/37/EF
Made according to announcement No. 561 of June 24, 1994 that implements the DIRECTIV 98/37/EF

Ovennævnte produkt må **IKKE** tages i brug, før den maskine, hvori det er indbygget eller hvortil det skal anvendes er erklæret i overensstemmelse med alle relevante bestemmelser.
Above product may **not** be taken into use, before the machine into which is has been built in or to which purpose it must be used for, conform to any relevant regulations.

Navn, titel og underskrift af fabrikanten:
Name, title and signature of manufacturer:

Michael Overgaard, Direktør

05-11-2007

Dato/date

Underskrift/signature